



ATTACHMENTS

Tree Cutting Equipment
Since 2002



Tree Shears • Tree Saws • Brush Rakes • Wood Splitters



Treeshear.com

Hydra Clip 16" Tree Shear

48" Guard
Option Shown



4" Chrome Main
Hinge Pins with
Spiral Cut
Hardened
Bushings



Hidden Grapple
Cylinder

Integrated Pressure
Reducing/Electric
Shut-off Valve

Dual Grapple Arms
Hold Tree Tightly
While Cutting

Flush Cutting Blades
with Extended Tips

Bolt-on
Grapple
Design

Integrated
Chemical
Tanks

Ball and
Socket
Design



Specifications and Options

Part#	Description	Dimensions	Weight	Bore/Shaft/Stroke
HC16	Hydra Clip	43" x 76" x 25"	1800lbs	5" x 3" x 7.25"
TG16	Tree Grapple	24" x 36" x 48"	450lbs	
HCSS	Spray System		15lbs	
48GWM	48" Guard	45.5" x 3" x 48"	150lbs	

www.treeshear.com

620-251-8500

Hydra Snip 12" Tree Shear

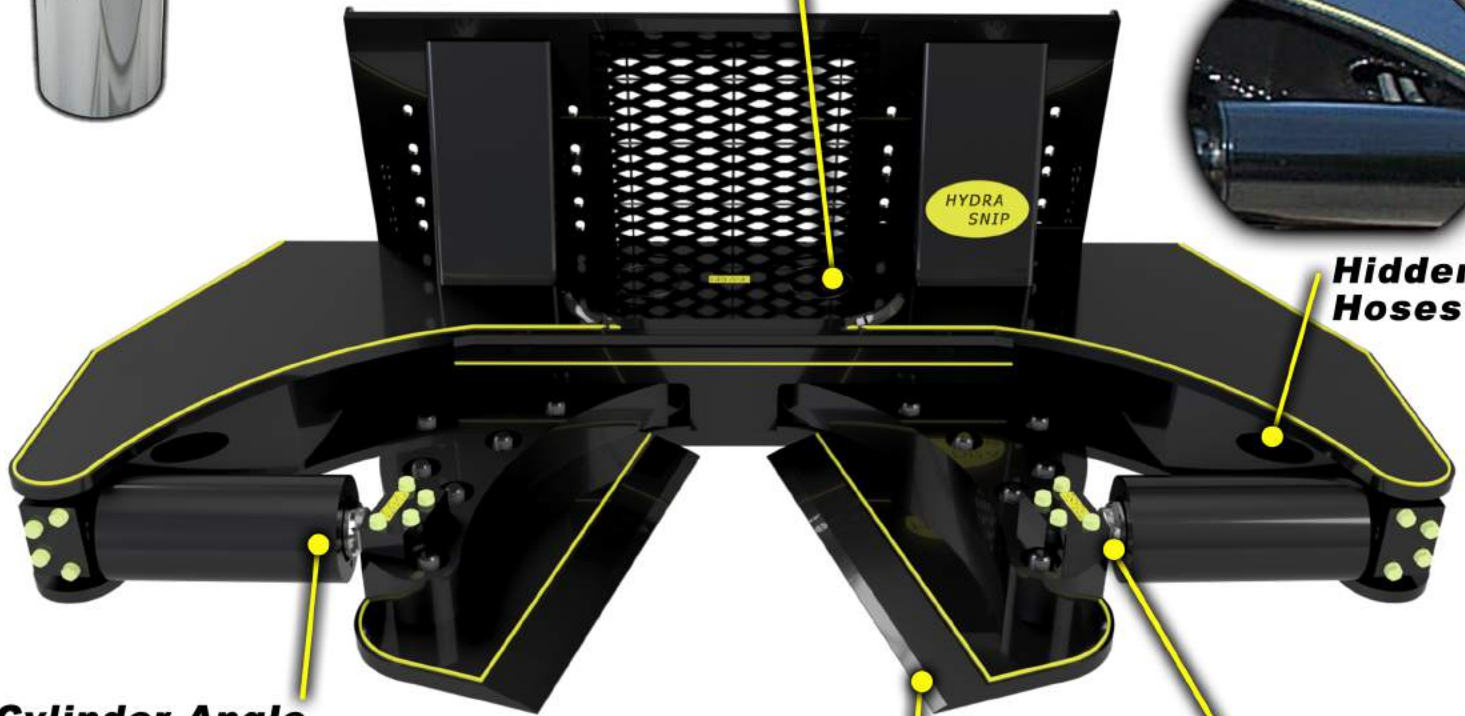
48" Guard
Option Shown



3" Chrome Main Hinge Pins
with Spiral Cut Hardened
Bushings



Hidden
Hoses



Cylinder Angle
Provides
Maximum
Cutting Power

Flush Cutting Blades
with Extended Tips

Ball and Socket
Design



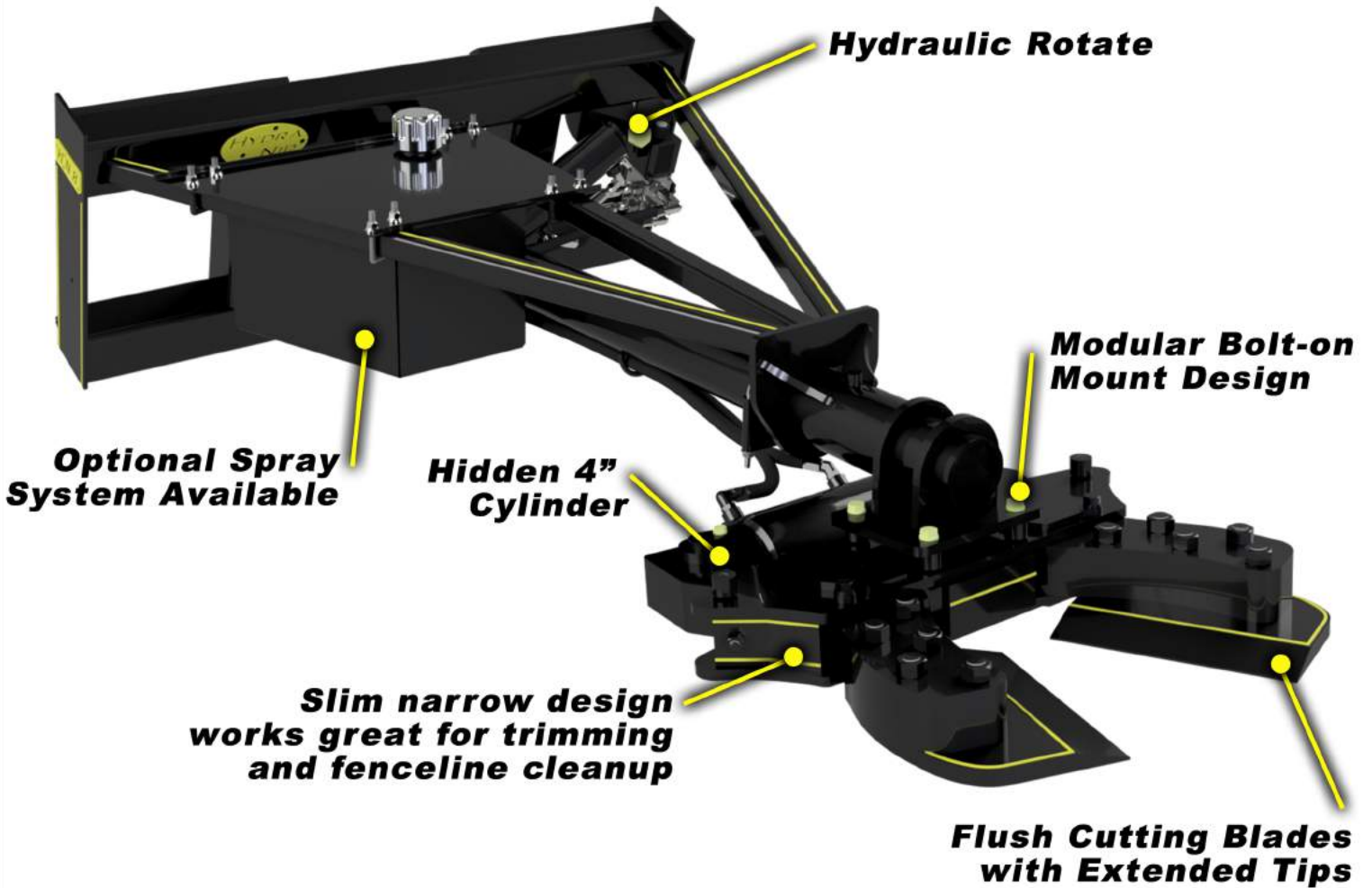
Specifications and Options

Part#	Description	Dimensions	Weight	Bore/Shaft/Stroke
HS12	Hydra Snip	36" x 60" x 22"	900lbs	4" x 2" x 5.5"
HSSS	Spray System	5" x 45.5" x 48"	250lbs	
48GWM	48" Guard	3" x 45.5" x 48"	150lbs	

www.treeshear.com

620-251-8500

Hydra Nip 8" Tree Shear



Specifications and Options

Part#	Description	Dimensions	Weight	Bore/Shaft/Stroke
HN8	Hydra Nip	80" x 46" x 21"	600lbs	4" x 2" x 5.5"
HNSS	Spray System	19" x 24" x 14"	45lbs	

www.treeshear.com

620-251-8500

Hydra Rake

Extreme Series Brush Rake

Solid and Dual Top Models



3/4" Grapple Arms



Machined Hinge Pins with Grease Relief Technology for Longer Life

Hidden Cylinders

Made From High Strength Alloy Plate

Lower Teeth Spacing Available in 6" or 12"

Teeth Reinforced to the Tip

Specifications and Options

Model	Description	Dimensions	Weight	Teeth Width Options
HR6	Hydra Rake 6'	42" x 72" x 34"	1000-1150lbs	6" or 12"
HR7	Hydra Rake 7'	42" x 84" x 34"	1150-1350lbs	6" or 12"
HR8	Hydra Rake 8'	42" x 96" x 34"	1300-1550lbs	6" or 12"

www.treeshear.com

620-251-8500

Hydra Saw



1
YEAR
WARRANTY

**Stainless Steel
Spray System**

**Heavy Duty
Brush Guard**

**Hydraulic Rotate
with Positive Lock
Feature**

**High Torque
Radial Piston
Motor**

**Carbide 4-Sided
Rock Grade
Teeth**

**Low Speed
High Torque for
Safer Operation**

Specifications and Options

Model	Description	Blade Diameter	Weight	Flow Requirement
TS42	Hydra Saw	42"	1750lbs	30-45 GPM
TS30	Hydra Saw	30"	1000lbs	17-23/23-35 GPM

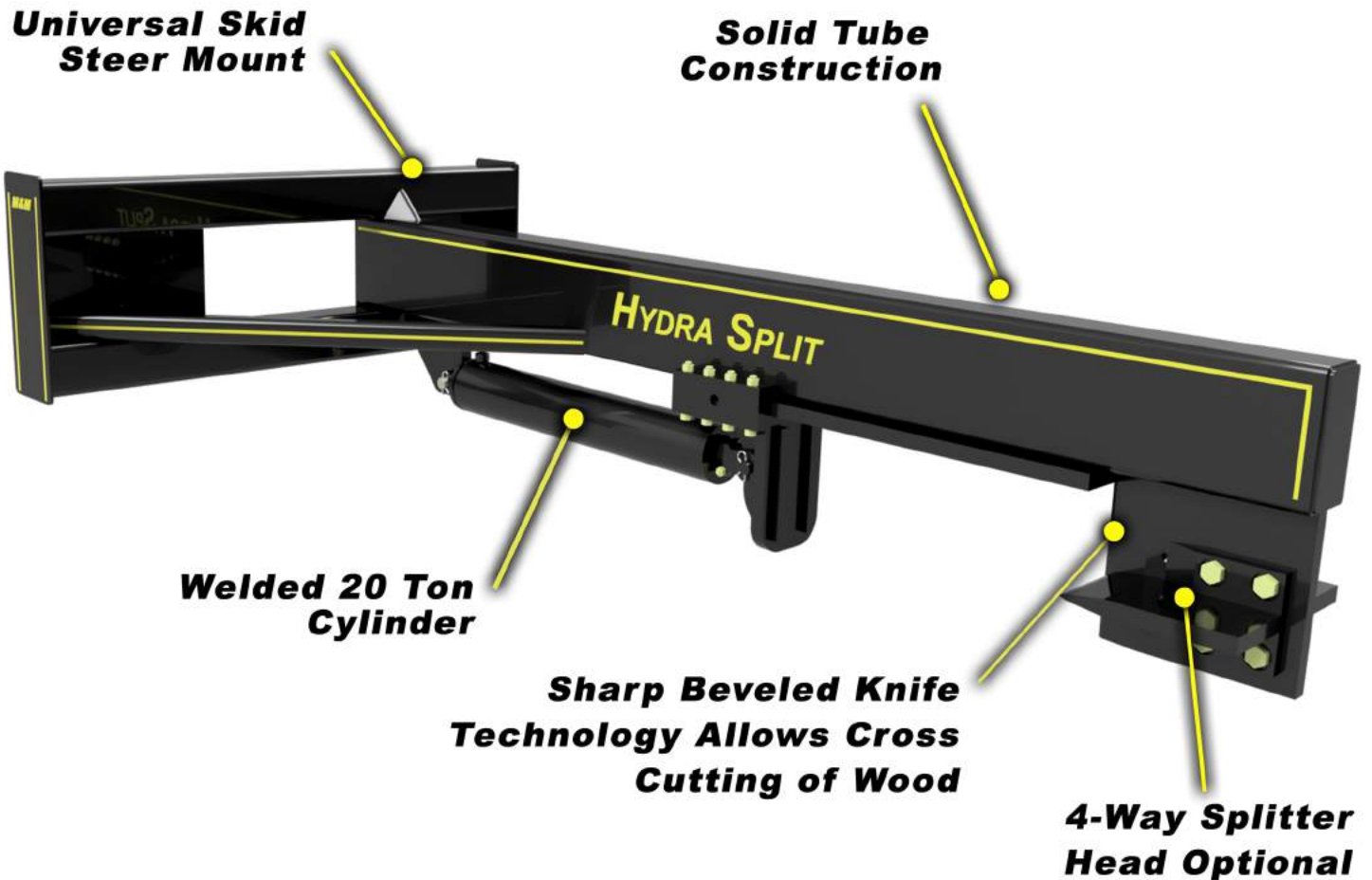
www.treeshear.com

620-251-8500

Hydra Split

Trims, Cuts and Splits

24" and 36" Models Available



Specifications and Options

Model	Description	Dimensions	Weight	Bore/Shaft/Stroke
WS24	24" Woodsplitter	89" x 45.5" x 18"	575lbs	4" x 2" x 24"
WS36	36" Woodsplitter	113" x 45.5" x 18"	650lbs	4" x 2" x 36"
WS-4WAY	4-Way Option	9" x 9" x 12"	25lbs	

www.treeshear.com

620-251-8500

WEBER MANUFACTURING, LLC

Electrical Wiring

2-EZ Controller



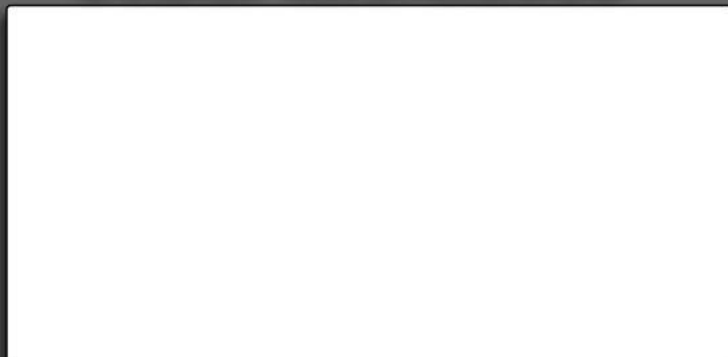
- **Controls 2 Circuits**
- **Converts 7-Pin Bobcat® Signals into usable 12 volt power**
- **Plug and Play Technology**
- **Momentary and Latching Functionality**

4-EZ Controller



- **Controls 4 Circuits**
- **Converts 7-Pin Bobcat® Signals into 14 pin usable 12 volt power**
- **Utilizes factory buttons in the skid steer handles**
- **Momentary and Latching Functionality**
- **Inline design with popular 14 pin connector**

Dealer Information



About Us

Weber Manufacturing LLC is a family owned and operated manufacturing business which specializes in pasture reclamation attachments. Operating out of a 32,000 sq/ft facility, Weber Manufacturing builds all of the M&M brand of products in-house. Quality, integrity and customer service are the values Weber Manufacturing is built upon. Call us today to discuss why your next attachment should be an M&M by Weber.

Contact Information

Weber Manufacturing, LLC
1300 E. 3rd Street
Coffeyville, KS 67337

Phone: 620-251-8500

Email: info@treeshear.com

Website: www.treeshear.com

Facebook: [@webermfg](https://www.facebook.com/webermfg)



Nationwide Dealer Network

