



Owner's Manual
M&M Hydra Saw



1300 East 3rd Street, Coffeyville Kansas 67337

Phone: (620) 251-8500

www.treeshear.com

Table of Contents

1. Cover Page
2. Blank
3. Table of Contents
4. Serial Number Information
5. Introduction
6. Operating Instructions
7. Operating Instructions Continued
8. Specifications
9. Lubricating Instructions
10. Maintenance Schedule
11. Warranty
12. Warranty continued

Serial Number Information

Please take time to record the serial number, dealer name and date purchased. The serial number is stamped into the serial number plate riveted on the back of the machine. It will be a number similar to this example.

TS213100

Serial Number _____

Dealer Name _____

Date Purchased _____

Motor CC _____

Note: TS30 has two (2) different motor options 170cc & 220cc. Please record which motor your TS30 has.

INTRODUCTION

CONGRATULATIONS on purchasing the very best engineered and manufactured tree saw on the market today.

Weber Manufacturing's policy is one of continuous improvement. The right to change prices, specifications or design, at any time without notice is reserved.

All data given in this book is subject to production variations. Dimensions and weights are approximate only and the illustrations do not necessarily show equipment exactly as they are. For exact information about any particular piece of equipment consult your local dealer.

The following instructions will answer most of your questions regarding the M&M **Hydra Saw**. However, if you have any questions please call your local dealer or Weber Manufacturing at (620) 251-8500.

Operating Instructions

IMPORTANT

Read and understand the following before operating the saw.

Because of the possible severity of injury to persons or property from accidents, which may result from the improper use of this equipment, it is important that correct procedures are followed and common sense is exercised.

Inspections should be made on a regular basis upon installation of the machine, and operational procedures specified in this manual should be followed to assure safe operation under prevailing conditions.

1. This unit is a precision piece of power equipment, not a plaything; therefore exercise extreme caution at all times.
2. Know the controls and how to stop the machine quickly.
3. Cutting trees, especially large ones, requires absolute attention. Take a moment on each and every tree to study how the tree will fall, what direction is the wind blowing and what way would the tree fall naturally?
4. Never cut a tree that is leaning towards the operator or machine or one that is leaning in such a way that it might fall on the machine or tip the machine over.
5. Never cut trees that are in direct contact with power lines or their path of fall will come in contact with power lines.
6. Never cut trees that are on a steep enough grade that you cannot safely use your machine and always reduce speeds on steeper grades.
7. Never cut trees that are close enough to water that they could turn your machine into the water.

Continued on next page

8. **Never cut trees any higher than ground level!!! Serious injury or death can occur from overturning due to limited loader capacity!!! Always cut trees at ground level!!!**
9. Inspect hoses for bear spots or cuts and replace if found. Hot hydraulic oil can cause serious injury.
10. To prevent serious injury never operate saw blade near people or dwellings.
11. Do not allow children to operate this machine. Do not allow adults to operate this machine without proper instruction.
12. To maintain control of the saw and reduce the possibility of upset to the skid loader or damage to saw, operate the machine smoothly, avoiding erratic operation and excessive speed.
13. Never operate the saw when bystanders are within 100 feet of the work area.
14. Do not operate a on a skid steer not equipped with a case drain provision. Operating this saw without connecting the attachments case drain to the proper case drain circuit on the skid steer may result in a machinery failure not covered under warranty.
15. Cutting tree branches with the saw in an elevated position could result in serious injury or death if the skid steer becomes unstable. Never raise the saw more than a few feet off the ground when working on slopes or uneven terrain.

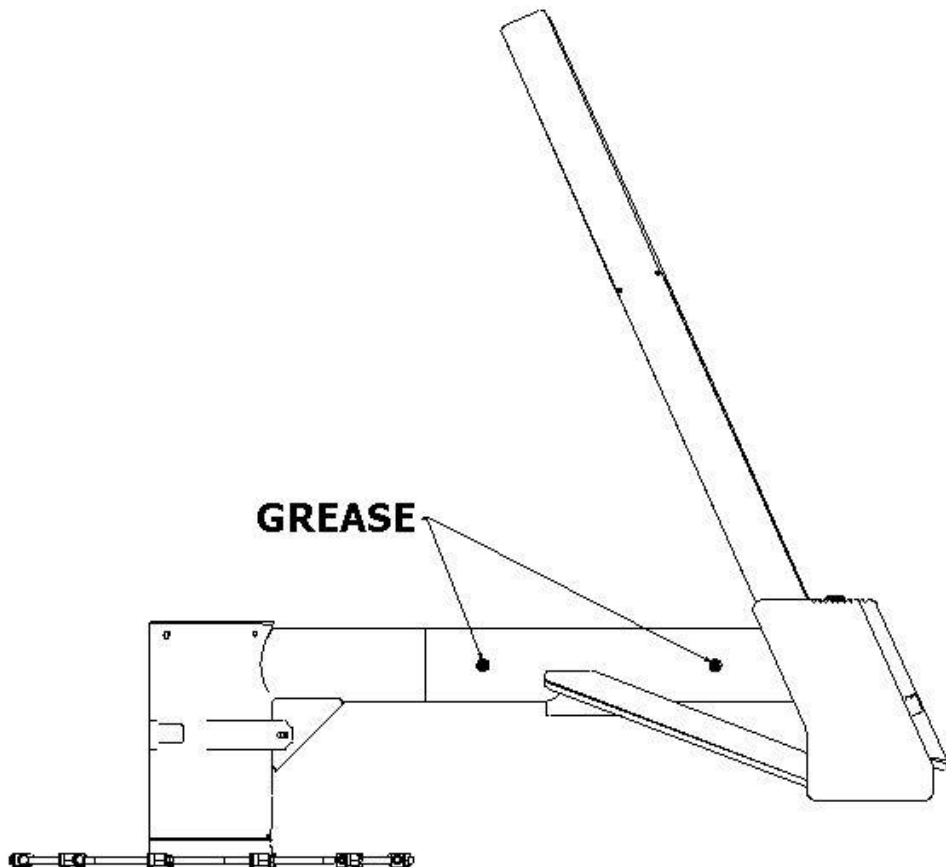
LUBRICATING INSTRUCTIONS (Hydraulic Rotate)

HYDRA-SAW

There are two (2) grease fittings for the hydraulic rotate on the Hydra Saw. They are located on the main support tube on the left side if looking from loader cab.

Every three to four hours of rotate operation, both of these fittings should be greased with high temperature high pressure grease. This will insure grease has completely worked into every area of friction resulting in longer machine life.

NOTE: Failure to properly lubricate as recommended will result in gauling of parts and will not be covered under warranty. It is normal for the main rotating tubes to take grease slowly when the machine is new due to tight tolerances.



MAINTENANCE SCHEDULE

To maintain the machine, bolts will require periodic tightening. During the first few hours of operation the machine will have a break in period, so all bolts should be checked periodically during this time as some stretching may occur in the bolts. After one hour of running time the machine bolts should be re-torqued to the following specifications to insure proper machine usage.

Tooth Rotation/ Replacement

Each saw tooth is four sided and can be removed and rotated. To rotate the tooth, remove the retaining bolt, clean any debris or residue from the mounting surfaces, and rotate the tooth to the desired position. Verify the tooth is fitted squarely on the tooth holder and tighten to 150 ft lb.

Blade Teeth Bolts	<i>150 ft/lbs</i>
Blade to Spindle Retaining Bolts	<i>150 ft/lbs</i>

Spindle Maintenance for TS42

The use and maintenance of the spindle bearing housing is critical to the success and performance of the saw. To drain the oil, remove the top cover plate from the head of the saw. Rotate the saw to its vertical position, remove the plug from the ½” oil fill hose. Drain the oil from the spindle bearing housing.

Rotate saw back to level position. Refill spindle bearing housing with approximately 16 ounces of SAE gear oil of an 80-90 weight.

Note: Stop filling when oil level has reached oil sight glass.

Spindle Maintenance for TS30

The use and maintenance of the spindle bearing housing is critical to the success and performance of the saw. The TS30 Hydra-Saw utilizes a greased spindle housing. To service the spindle, locate the grease fitting behind the lower spindle tube access cover. Give 5-7 pumps of high temperature grease every 200 hours of operation.



LIMITED WARRANTY AND TERMS OF SALE

WARRANTY: WEBER MANUFACTURING, LLC products are warranted to the original retail purchaser against defects in material and workmanship which occur within twelve (12) months from the date of delivery to the purchase, or the date of delivery to the carrier in the case of F.O.B. shipments. WEBER MANUFACTURING, LLC's warranty shall be limited, at WEBER MANUFACTURING, LLC's option, to repair or replace any defective parts or components. Such repair or replacement shall be the purchaser's sole and exclusive remedy hereunder. Expendable components are excluded from this warranty. Normal wear and tear, along with routine maintenance, is always excluded from this warranty. Purchaser shall pay all transportation costs associated with request for warranty service, including costs and expenses of transporting the product or component part to WEBER MANUFACTURING, LLC service centers. Warranty service shall be performed by the WEBER MANUFACTURING, LLC dealer from whom the product was purchased, in the dealer's service department, during regularly scheduled hours of operation.

WARRANTY VOIDED BY MODIFICATION, ALTERATION OR MISUSE: This warranty is void if [1] the product is modified or altered in any way not approved in advance and in writing by WEBER MANUFACTURING, LLC, [2] if other than genuine WEBER MANUFACTURING, LLC parts have been installed, or [3] the product or its components have been subjected to misuse, neglect, accident, damage, improper maintenance, or improper operation.

LIABILITY LIMIT: WEBER MANUFACTURING, LLC shall not be liable in contract, tort, or otherwise, for any special, indirect, incidental or consequential damages, such as, but not limited to, loss of profits, loss of production, or from injury or damage caused by reason of the installation, modification, use, repair, maintenance, diagnostics, or mechanical failure of a WEBER MANUFACTURING, LLC product. WEBER MANUFACTURING, LLC shall not be liable for any cost incurred related to assessing, analyzing, or diagnosing to, or defect in, any product, regardless of whether it is a WEBER MANUFACTURING, LLC product or the product of another manufacturer, vendor or other third party. WEBER MANUFACTURING, LLC's warranties hereunder extend only to the direct customer of WEBER MANUFACTURING, LLC [or to the first user of the product if the direct customer purchases solely for the purpose of resale]. WEBER MANUFACTURING, LLC makes no warranties when the damage results from the failure to read, understand or follow all instructions in the operator's

manual(s) and the equipment warning decals. The purchaser, or user of any WEBER MANUFACTURING, LLC equipment shall be responsible for all ordinary maintenance, adjustments, and cleaning of the product. In the event that the WEBER MANUFACTURING, LLC product is not properly maintained, all warranties by WEBER MANUFACTURING, LLC are null and void. Certain component parts of WEBER MANUFACTURING, LLC products are purchased from other vendors. WEBER MANUFACTURING, LLC warrants these component parts only to the extent of the vendor's warranties. WEBER MANUFACTURING, LLC shall repair or replace such component parts in accordance with the vendor's warranty policy only if WEBER MANUFACTURING, LLC, in its sole discretion, determines such component parts to be defective.

ASSUMPTION OF RISK: Purchaser, and any subsequent user, assumes the risk of, and liability for, all loss, damage, or injury to persons or property caused by misuse of WEBER MANUFACTURING, LLC products. Misuse includes the failure to read, understand, or follow all instructions in the operator's manual(s) and the equipment warning decals.

WARRANTY DISCLAIMER: To the maximum extent permitted by applicable law, WEBER MANUFACTURING, LLC makes no warranties other than those stated herein, and these warranties are expressly in lieu of all other warranties, whether expressed or implied, including by way of example and not by way of limitation, any warranties of merchantability or fitness for a particular purpose, and also in lieu of any other obligations on the part of WEBER MANUFACTURING, LLC. During the period of the warranty, the exclusive remedy is repair or replacement of the product.

MODIFICATIONS: No representation or warranty, expressed or implied, made by any sales representative, or any agent or employee of WEBER MANUFACTURING, LLC which is not specifically set forth herein shall be binding on WEBER MANUFACTURING, LLC unless approved in writing by an authorized representative of WEBER MANUFACTURING, LLC.

TAXES: Unless otherwise noted, the price does not include any state or local, property, sales, use, or privilege tax or license. If any such charge shall be assessed because of, or in connections with, the transaction described herein, the purchaser agrees to pay the same or reimburse WEBER MANUFACTURING, LLC as the case may be.

LOSS OR DAMAGE IN TRANSIT: Any claim against WEBER MANUFACTURING, LLC for loss or damage to products in transit shall be handled as follows: Immediately upon delivery, purchaser must inspect product for damage. If damage is detected or suspected, purchaser must notify the carrier (by writing on the bill of lading – at the time of delivery) and must also notify WEBER MANUFACTURING, LLC within one [1] day of delivery (by phone call, email or letter) of any damage sustained to product. All RISK OF LOSS for damage in transit passes to purchaser upon acceptance of delivery, and any failure on the part of the purchaser to detect damage and/or failure to strictly adhere to the foregoing notification requirements shall constitute a waiver of claim and shall transfer all RISK OF LOSS to purchaser.

GENERAL PROVISION: The failure of WEBER MANUFACTURING, LLC to enforce any right will not be construed as waiver of WEBER MANUFACTURING, LLC's right to enforce performance in the future. The purchaser may not assign any rights or delegate any performance hereunder without the express written consent of WEBER MANUFACTURING, LLC.

CLAIM/NOTICE OF DEFECTS: In the event the purchaser claims that a WEBER MANUFACTURING, LLC product is defective, WEBER MANUFACTURING, LLC shall be given an equal opportunity for inspection, or, upon request, shall be furnished a sample of such product. Any claim must be made within thirty [30] days after receiving the product shipped hereunder, The purchaser shall set aside, protect, and hold such product without further processing until WEBER MANUFACTURING, LLC has an opportunity to inspect and advise the purchaser as to the disposition, if any, to be made of such product. In no event shall any WEBER MANUFACTURING, LLC product be returned, reworked, or scrapped by the purchaser without the express written authorization of WEBER MANUFACTURING, LLC.

PATENT RIGHTS: The purchaser agrees not to violate or infringe the patent rights relating to any WEBER MANUFACTURING, LLC product, or any other patent rights under the control of WEBER MANUFACTURING, LLC under which WEBER MANUFACTURING, LLC has the right to manufacture or sell. The purchaser also agrees not to contest WEBER MANUFACTURING, LLC's title to any and all such patent rights, nor the validity or scope thereof. The purchaser assumes liability for patent or copyright infringement when goods or products are made to the purchaser's specifications.

NON-INCORPORATION: Any terms consistent with those stated herein which may appear in the purchaser's formal order, or in any proposal for additional or different terms, or any attempts by the purchaser to vary in any degree, any of the terms of this offer, are hereby objected to and rejected, but such proposal shall not operate as a rejection of this offer unless such variances in the terms and the description, quantity, price or delivery schedule of the goods or products are deemed a material alteration hereof, in which event this offer shall be deemed accepted by the purchaser without said additional, or different terms.

GOVERNING LAW, JURISDICTION AND VENUE: All disputes arising out of this limited warranty and terms of sale shall be governed by the laws of the State of Kansas. The purchaser consents to the personal jurisdiction of federal and state courts in the State of Kansas, waives any argument that such a forum is not convenient, and agrees that any litigation relating to this limited warranty and terms of sale shall be held in District Court of Montgomery County, Kansas or the Federal District Court covering southeast Kansas.

SEVERABILITY: If for any reason any one or more provisions contained in this Limited Warranty and Terms of Sale are deemed to be invalid or unenforceable, the Agreement shall be construed as if it did not contain the invalid or unenforceable provision and the rights and obligations of the Parties shall be construed and enforced accordingly.